

ATTENUATION RESULTS: BARRIER ACRYLIC

DESCRIPTION: A lead-free, x-ray protective barrier composed of bismuth, acrylic and other stabilizing elements.

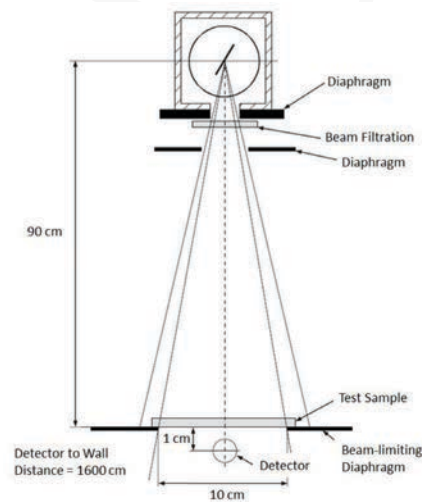
TESTING METHOD: EN IEC 61331-1:2014

TESTING COMPANY: Health Physics Northwest

TEST DATE: July 2016

REPORT #: 020

**MEASURING
ARRANGEMENT IN
THE BROAD BEAM
(IEC 61331-1:2014)**



TESTING RESULTS:

MATERIAL	XRAY TUBE VOLTAGE	HVL	STATED LEAD EQUIVALENCE	ACTUAL LEAD EQUIVALENCE	ATTENUATION RATIO
Barrier Acrylic	50 kV	1.82mm Al	0.50mm Pb	Cannot report*	5139.96
Barrier Acrylic	70 kV	2.41mm Al	0.50mm Pb	Cannot report*	211.01
Barrier Acrylic	90 kV	3.10mm Al	0.50mm Pb	0.55mm Pb	46.86
Barrier Acrylic	110 kV	3.80mm Al	0.50mm Pb	0.52mm Pb	28.60
Barrier Acrylic	150 kV	5.14mm Al	0.50mm Pb	0.49mm Pb	18.05

*Lead Equivalent cannot be reported due to high attenuation of this sample at this tube potential